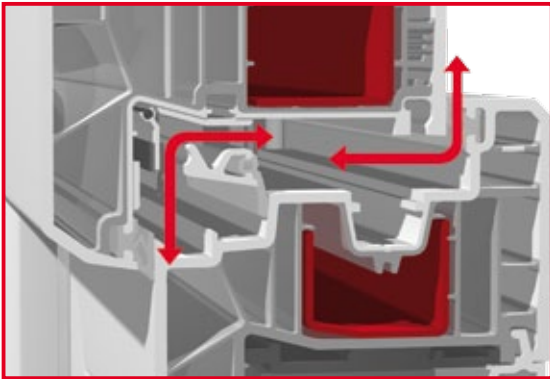


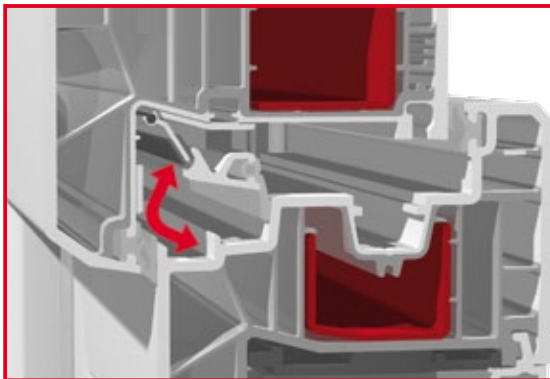


***Balanced indoor climate  
thanks to an intelligent solution***

# ClimaMatic® – The system for a permanent feel good climate



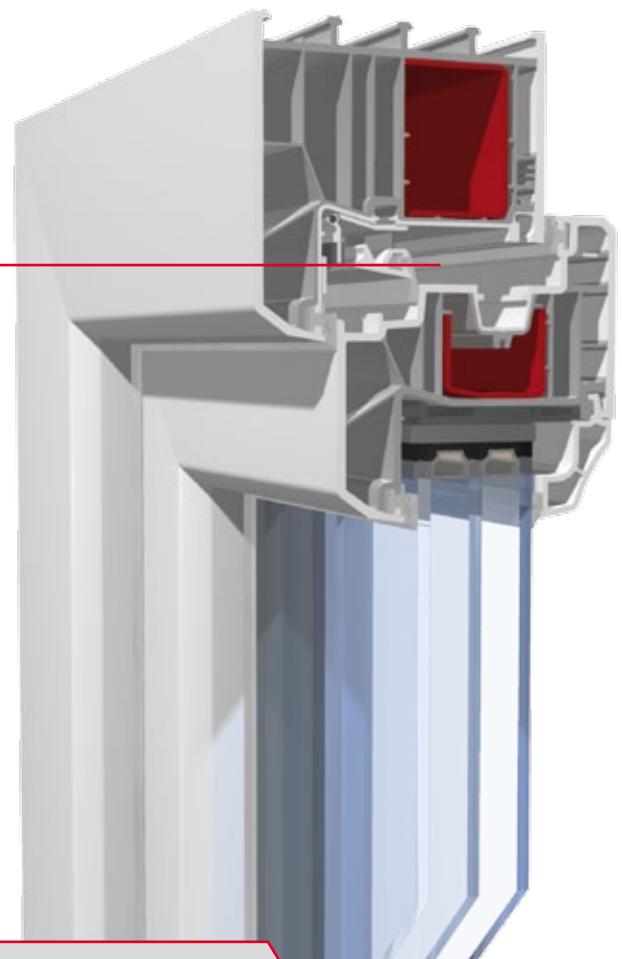
When the wind dies down – the flap opens



When the wind picks up – the flap closes

The new, self regulating window ventilation system ClimaMatic has been designed for the modern 88 mm system from KBE. Concealed in the outer frame and therefore virtually invisible, it has been developed specifically for the central seal variant and presents a convincing range of performance characteristics.

ClimaMatic balances the wind pressure automatically for a permanent feel good climate. The risk of mould is reduced to a minimum, indoor humidity is now a thing of the past, and on top it complies with the DIN and EU standards as well. Requirements for tightness against driving rain and passage of air. In this respect a perfectly engineered and intelligent ventilation solution for a balanced indoor climate.



- **Self regulating ventilation system**  
for the KBE System\_88mm in conjunction with the central seal
- **Regulates indoor humidity**  
reduces the risk of harmful mould
- **Wind pressure adjustments**  
are regulated automatically by the ClimaMatic
- **Tightness against driving rain and passage of air**  
in accordance with the DIN and EU standards
- **Concealed in the frame**  
so scarcely visible from the inside and outside